

KREBS®

PUMPS, CYCLONES AND VALVES

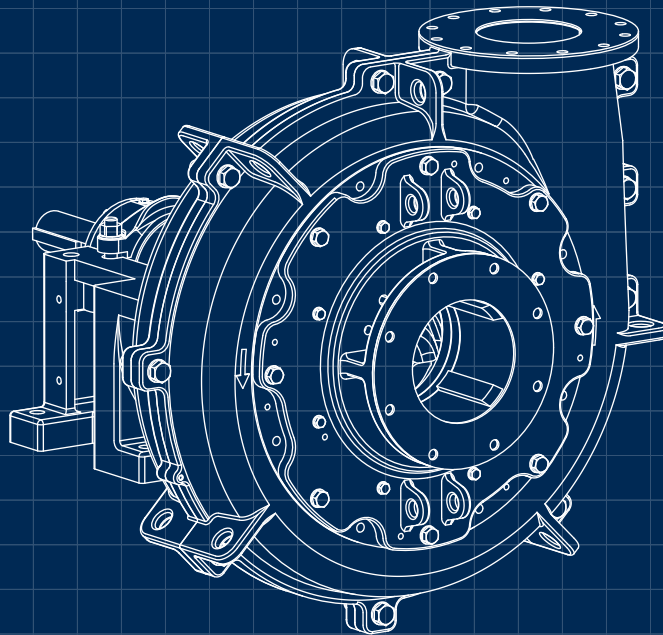
slurryMAX™

Tough and versatile
slurry pumps



Split-case design multiple material options

You asked for a split-case pump with longer wear life and better efficiency, which can easily and safely be installed throughout your plants. That's why we designed our newest KREBS® offering—the slurryMAX™, with multiple liner and impeller material options.



Key benefits

- Even and predictable wear life for wet end parts
- Significant energy savings
- Constant hydraulic performance
- Highly effective centrifugal seal
- Long-lasting bearings that cannot be over-greased
- Multiple liner and casing materials for a wide range of applications
- Eliminate gland water requirements

Suction-side recirculation

Following the dramatic success of the millMAX™ metal slurry pump, we have incorporated its patented features into our slurryMAX split-case design pump product range. slurryMAX pumps include the same proven wear ring feature of our millMAX, with its externally adjustable wear ring that closes the clearance between the wear ring and the impeller eye.

The ability to control the suction-side clearance reduces the recirculation, and helps maintain the design performance over the life of the pump without increasing the pump speed. Over time, a conventional pump will have to increase the operating speed to maintain performance, causing it to wear out even faster.

The wear ring advantage also allows for a wide clearance between the impeller and suction liner. This eliminates the mechanical grinding of solids between the two components. Conventional pumps without the wear ring advantage experience this grinding of solids which consumes power and causes significant wear in the suction liner and impeller.

The unique advantage to our design is that we solve both the grinding and the recirculation problems within the pump while our competitors can only solve one or the other.

Versatile options to fit your application

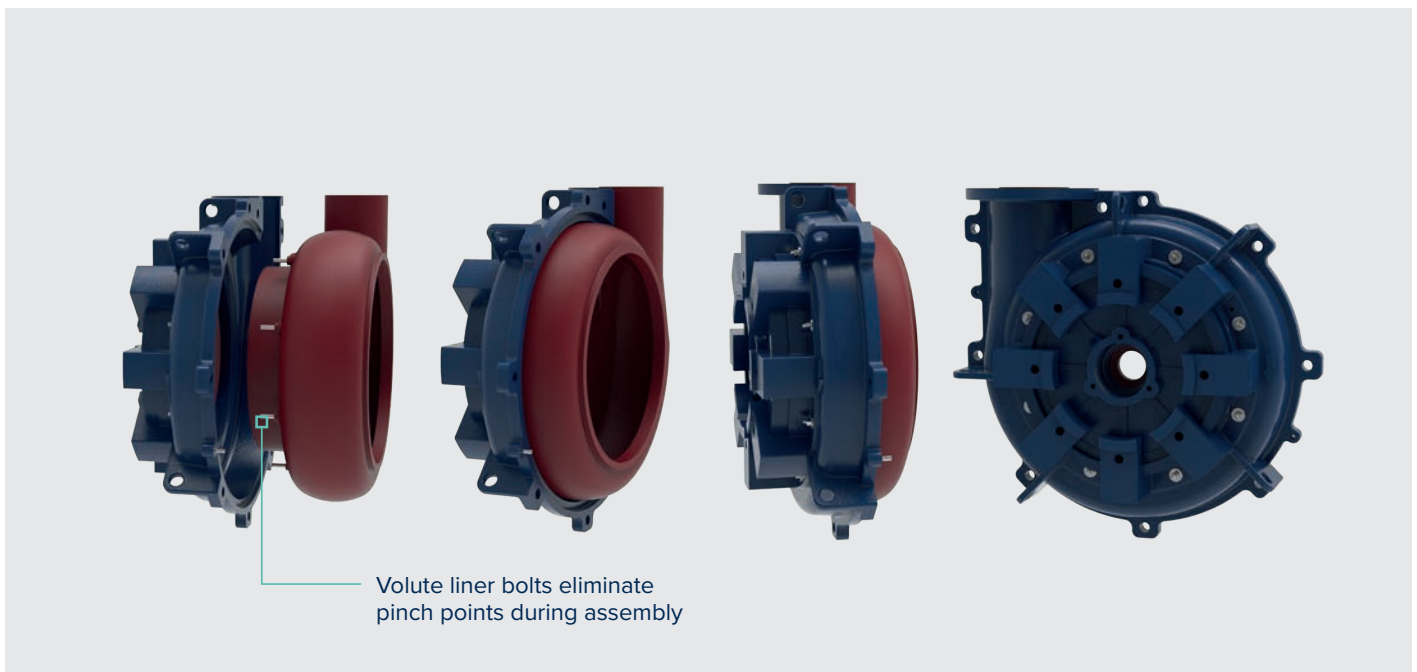
All wear components include multiple metal and elastomer material options. We also offer the slurryMAX XD with high-pressure casings for applications requiring multiple pumps in series.

Safety benefits

Our 8×6 and larger size slurryMAX pumps feature a simple removable suction liner assembly for the inspection of internal components and the replacement of the impeller without removing the discharge pipe. Easy-to-use lifting jigs allow for safe and rapid rebuilds.

We think that the safety of your fingers gives you ten great reasons to try a slurryMAX!

We designed a volute liner with an integrated back liner that bolts securely to the outer drive-side casing for ease of assembly and hands-free safety. No longer do you have to worry about pinching your fingers during installation of the suction liner.



slurryMAX™

Product range

slurryMAX™

Our heavy-duty, split-case design pump incorporates hydraulic efficiency and our proven millMAX wear ring technology to create the most efficient and longest-lasting slurry pump of its kind. With multiple liner and impeller material options, we've designed the slurryMAX to handle the majority of applications for any plant across multiple industries.



slurryMAX™ XD

The slurryMAX XD has found success all over the world, in the most aggressive applications, for more than a decade. Extremely thick elastomer liners and a heavy-duty impeller provide this pump with extended wear life, in addition to all of the advantages gained from the millMAX suction-side sealing system.



Assembly view of our slurryMAX™ pump major components

slurryMAX™ HP

This high-pressure version of the slurryMAX XD is ideal for multi-stage high-pressure pumping systems. Within the high-pressure outer casing and added rib reinforcement, the slurryMAX HP uses all of the same extreme wear parts as the XD, delivering long life and consistent performance.



slurryMAX™ XHP

We added the slurryMAX XHP to our slurryMAX range to provide our customers with pumping system options for multiple stages and a higher final discharge pressure. As with the HP, the XHP uses the same wear parts as the XD, but with an even more robust outer casing.



KREBS® slurryMAX™ pump product range

slurryMAX™	slurryMAX™ XD	slurryMAX™ HP
3×2	2×2	---
4×3	3×3	---
6×4	4×4	4×4
8×6	6×6	6×6
10×8	8×6	8×6
12×10	10×8	10×8
---	12×10	12×10
---	14×12	14×12
---	16×14	16×14*
---	20×18	---

* 16×14 slurryMAX™ XHP available

slurryMAX™

Design and material options

We designed the slurryMAX pump to replace less efficient pumps easily and safely, providing you with a path to plant process modernisation, significant water savings, less downtime and better energy efficiency.

Multiple material options

Multiple elastomer, alloy and polyurethane material combinations available. Thick elastomer liners are reinforced to prevent deflection. All liner materials are interchangeable within common housings.

High-efficiency impeller

High-efficiency impeller design, available with or without expelling vanes on the shroud. Elastomer or metal options available.

Wear ring

Proprietary suction side sealing system. This allows the impeller to be adjusted to the back to boost centrifugal seal performance while limiting suction side recirculation.

Removable suction plate

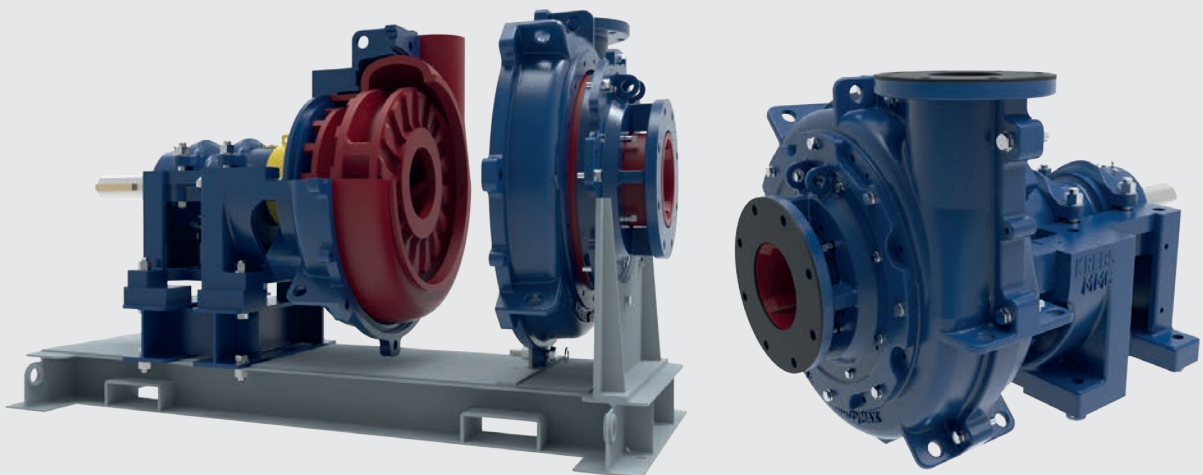
Impeller and suction-side liner assembly replacement without disturbing the casing and discharge piping. Available in sizes 8x6 and larger.

Drain port with plug

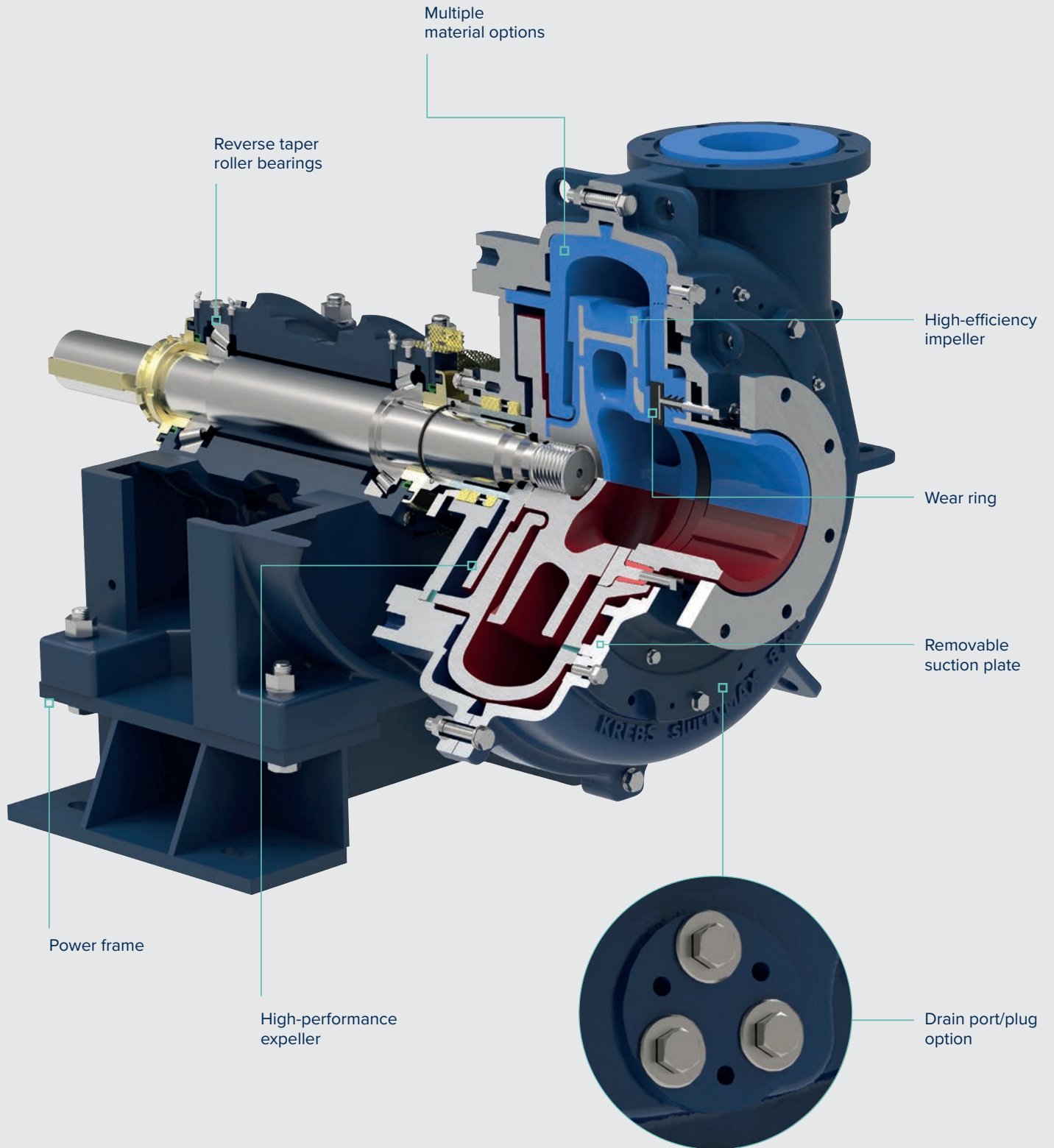
Optional casing feature may be added to allow water drainage.

High-performance expeller

Cutting edge centrifugal dry gland seal design allows for use in a new broad range of applications, including thickener underflow.



Cutaway image of KREBS® slurryMAX™ pump with metal liner and highly effective centrifugal seal



slurryMAX™ XD, HP & XHP

Design and material options

The heavy duty designs of the slurryMAX XD, HP and XHP are suitable for high wear applications such as primary cyclone feed and tailings. With tough spheroidal graphite iron casings, thick rubber liners and added external ribbing, we can handle the high pressures of multistage applications.

Reverse taper roller bearings

- Increases effective load span to improve life
- Pumping action of taper rollers discharges grease to the outside, preventing influx of slurry and eliminating possibility of failure from over-greasing
- Heavy-duty shaft and taper roller bearings rated at 100,000 hours minimum of B10 life

Power frame

- Heavy-duty cast iron pedestal with external bearing assembly adjustment mechanism
- Drilled for overhead motor mounting assembly

Impeller

- Designed for high slurry efficiency and hydraulic performance
- High-expelling vanes and machined surface at the eye for wear ring adjustment
- Multiple options available, including high-efficiency and elastomer options

Elastomer liners

- Thick rubber liners increase wear part operating life
- Right-angle shape prevents liners from collapsing into the impeller
- Designed to withstand slurry turbulence and allow for a wide operating flow range
- Natural rubber is standard due to its ability to withstand abrasion
- Multiple elastomer material options available

Reinforced plates

- Steel reinforcing plates provide stability to rubber liners and prevent deflection under vacuum conditions

Adjustable wear ring

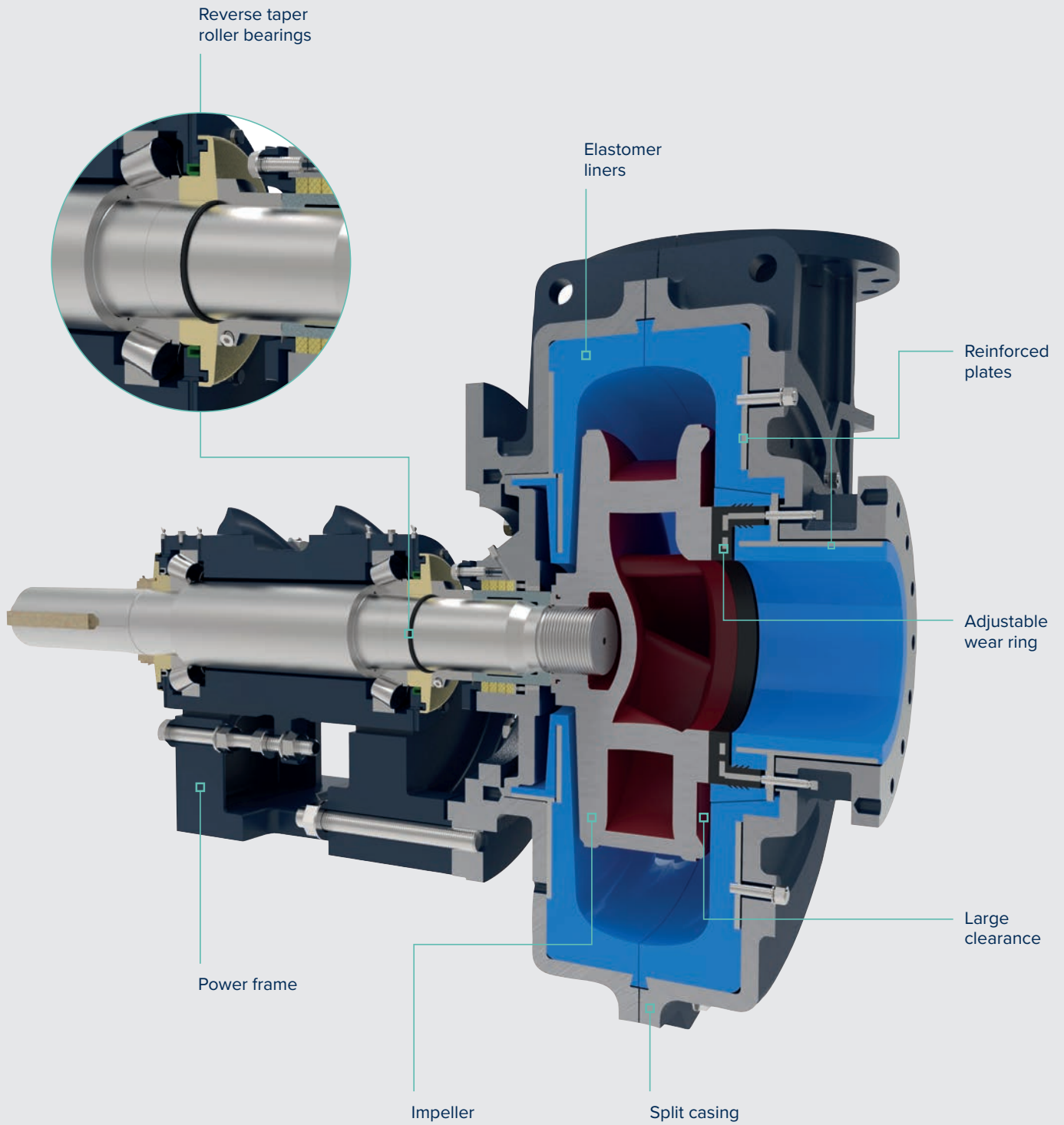
- Reduces suction-side recirculation
- Adjustable under operation
- Closes clearance at the impeller
- Maintains hydraulic performance
- Bearing assembly movement not required to adjust impeller clearances within the pump

Large clearance

- Increases suction liner wear life
- Reduces power consumption
- Allows pump to operate at higher speeds and generate higher heads without liner devulcanisation

Split Casing

- Rib-reinforced iron can contain wide range of operating pressures
- High-pressure casings available for HP and XHP models



Innovating across industries

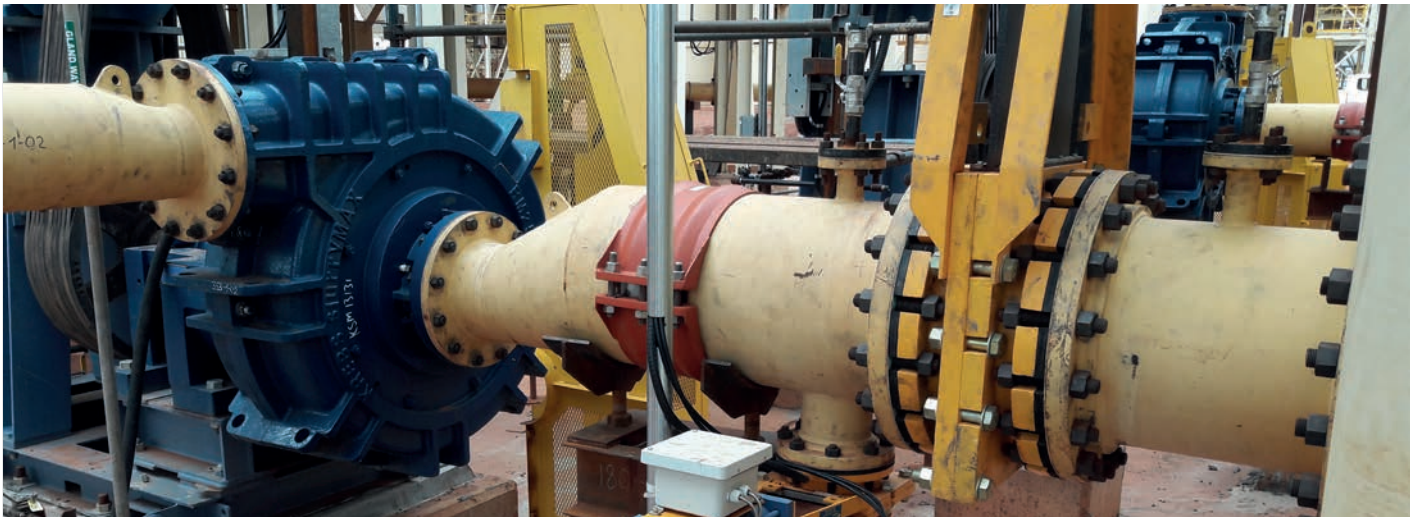
We are continually innovating and improving our technology to provide the best pumping solutions across multiple industries. Our pump testing facility allows us to design and deliver KREBS® pumps that give our customers increased efficiency, reduced water consumption and overall cost savings.

Designed for multiple applications in the following industries:

- Coal
- Copper
- Iron-ore
- Gold
- Oil sands
- Aggregates
- Diamonds
- Numerous other mineral processing industries

World-class service and pump test facilities

Our performance test lab is further proof of our commitment to advancement of the industry—through systems and service development, new product offerings, technical services and collaboration with outside entities. The ability to perform comprehensive testing on our products is not only necessary to meet your needs and deliver a quality product and service solution to you, it is essential for us in meeting the increasing technical demands of the industry as a whole.



GLOBAL SALES LOCATIONS

FLSmidth - Australia

Pinkenba, QLD, Australia
Tel: +61 7 5519 5700
krebstralia@flsmidth.com

FLSmidth - Chile

Santiago, Chile
Tel: +56 2 2463 8350
krebchile@flsmidth.com

FLSmidth - Philippines

Ortigas Center, Pasig City, Philippines
Tel: +63 2 687 9251
krebphilippines@flsmidth.com

FLSmidth - Beijing

Beijing P.R. China
Tel: +86 10 8468 9100
krebchina@flsmidth.com

FLSmidth - Brasil

Sao Paulo, Brasil
Tel: +55 15 3416 7400
krebbrasil@flsmidth.com

FLSmidth - Austria

Neusiedl am See, Austria
Tel: +43 2167 3345
krebseurope@flsmidth.com

FLSmidth Private Limited

Chennai, India
Tel: +91 44 4748 1000
krebindia@flsmidth.com

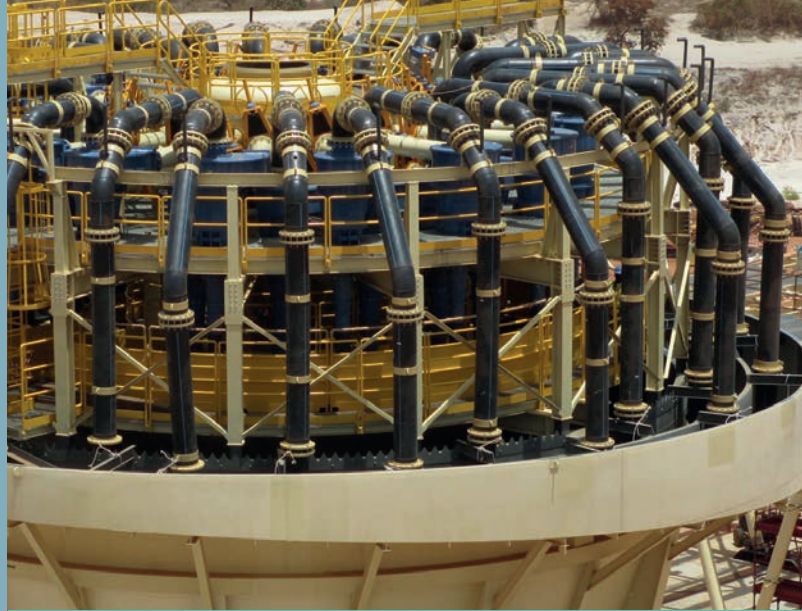
FLSmidth - South Africa

Johannesburg, South Africa
Tel: +27 0 10 210 4000
krebafrika@flsmidth.com

We deliver reliability and slurry to your process

Our knife gate slurry valves are designed for the most demanding high pressure applications.

✉ krebs@flsmidth.com



With KREBS® separation systems, it is easy to see what you have been missing

We provide finer, sharper particle separations at high capacities.

🌐 www.flsmidth.com



FLSmidth Inc. - Tucson Operations
5505 W. Gillette Road
Tucson, AZ 85743
USA

Tel: +1 520 744 8200
Fax: +1 520 744 8300
krebs@flsmidth.com

For more locations see global contact list on previous page
or visit us at www.flsmidth.com

Copyright © 2018 FLSmidth A/S. ALL RIGHTS RESERVED. FLSmidth is a registered trademark of FLSmidth A/S. nextSTEP is a trademark of FLSmidth A/S. This brochure makes no offers, representations or warranties (express or implied), and information and data contained in this brochure are for general reference only and may change at any time.



Learn from our experts

Subscribe to our
Discover Mining magazine on
www.flsmidth.com

Bringing better solutions to light

in the cement and mining industries

The future is full of possibilities and you are leading the way. But it's never a straight journey and it's easy to lose sight of true potential. With an ally by your side, who shares your ambitions and who sees your world from different angles, we will find the right way together.

For more than 135 years, we have challenged conventions and explored opportunities. Across more than 50 countries, we are 13,000 employees who combine our unique process-knowledge on projects, products and services to drive success. We develop the most advanced technology in our industries and offer market-leading product and service ranges.

Rooted in Danish values, we activate our knowledge and experience to navigate your complexity and bring better solutions to light. So no matter where in the world you are, we are here to help you discover new ground and achieve sustainable productivity enhancement.

We are the market-leading supplier of engineering, equipment and service solutions to customers in the global mining and cement industries.

We discover potential.

-  [flsmidth.com/linkedin](https://www.flsmidth.com/linkedin)
-  [flsmidth.com/twitter](https://www.flsmidth.com/twitter)
-  [flsmidth.com/facebook](https://www.flsmidth.com/facebook)
-  [flsmidth.com/instagram](https://www.flsmidth.com/instagram)
-  [flsmidth.com/youtube](https://www.flsmidth.com/youtube)

FLSmidth

Vigerslev Allé 77
2500 Valby
Denmark

Tel +45 36 18 10 00
Fax +45 36 30 18 20

info@flsmidth.com